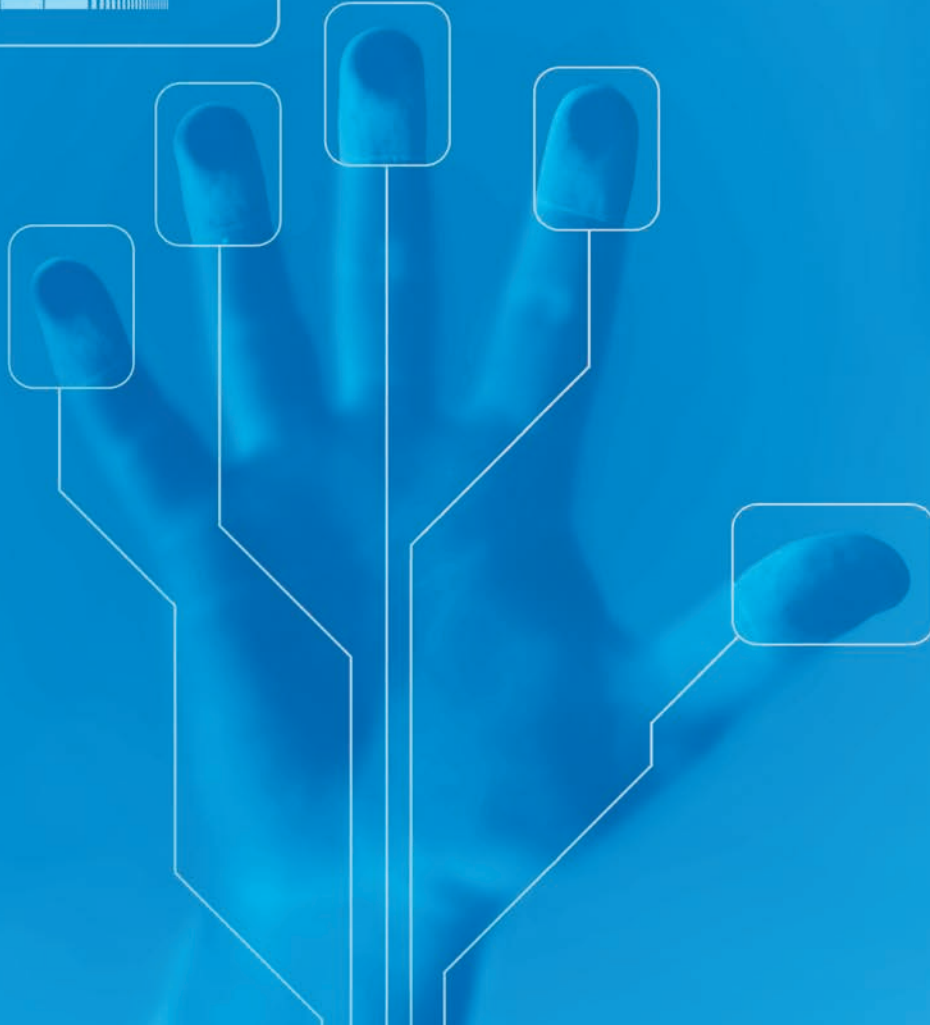


```
function makehash(pw,mult) {
  pass=pw.toUpperCase();
  hash=0;
  for (i=0;i<8;i++) {
    letter=pass.substring(i,i+1);
    c=alpha.indexOf(letter,0)+1;
    hash=hash*mult+c;
  }
  return(hash);
}
```

```
///
```

>>//ACCESS GRANTED



*The New Technology Contracting Company*



**WARDEN SYSTEMS**

**SETTING INNOVATION FREE**

CONTACT INFORMATION:

101 Executive Dr. Sterling, VA 20166 USA

phone: (202) 738-5799 (888) 210-0436 fax: (202) 738-5187

[www.wardensystems.com](http://www.wardensystems.com)

“One Machine can do the Work of Fifty Ordinary Men...”

...but No Machine can do the work of one extraordinary man”

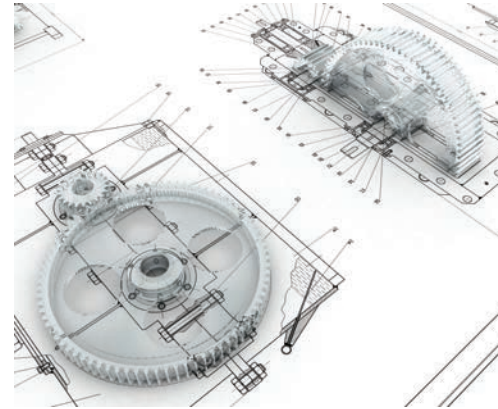
-Elbert Hubbard

## The Work We Do?

### Information Technology

Warden Systems' IT services include everything from basic network design, setup, and troubleshooting to cloud service integration and handling high volumes of throughput. Locally, we'll set-up secure connections between nodes with Access Control Lists (ACLs) and thoroughly test it against methods of intrusion like buffer overflows and code injections. We also work with Amazon Web Services, Heroku, Google App Engine, AppHarbor, to prevent any downtime.

By recording the signal output from the chips, Warden Systems reverse engineering lab can take a system and retrieve as much information from it as possible. This is mainly for Federal research contracts and to develop reverse engineering tools for the field, but we also provide local technology companies evaluation for their device boards under confidential agreement.



### Biomedical Engineering

Our Biomedical Solutions are developed with ergonomics in mind. These devices range from simple Class I devices like digital thermometers and ECG monitoring equipment, to designing and testing Class III implantable devices for Biocompatibility, life-cycle and third party effects. We work closely with the FDA to prevent any unforeseen effects before bringing the device to market. We also have a dedicated medical staff of trained surgeons to review our products, leaving nothing to doubt when clinical trials begin.



“Great Things are done

by a series of small things

brought together”

-Vincent Van Gogh

### Embedded Security

Assume your software is encrypted with the best software tools available, there is still a way that a hacker can break your encryption scheme. How is that possible?

Warden System provides small industrial robotic solutions which include modelling with Dassault Systèmes SolidWorks. Our parts are machined in partnership with a nearby Virginia Machine shop and high-quality off-the-shelf components from Festo, Allen-Bradley, and others. The control systems we develop use PCBs designed and produced in-house, as well as code running on VxWorks real-time operating systems to reduce processing overhead.

### Robotic Design

